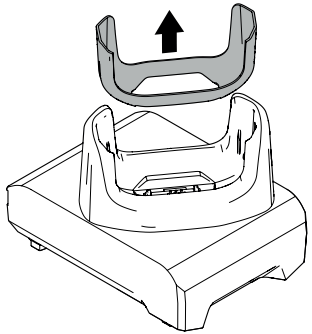
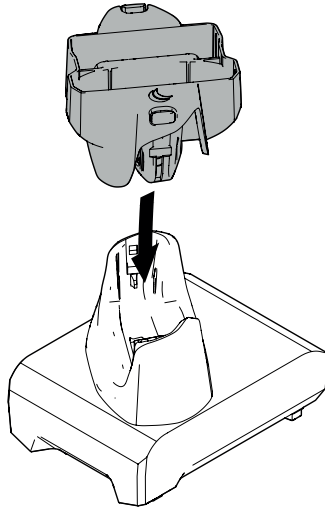


Dual charger use

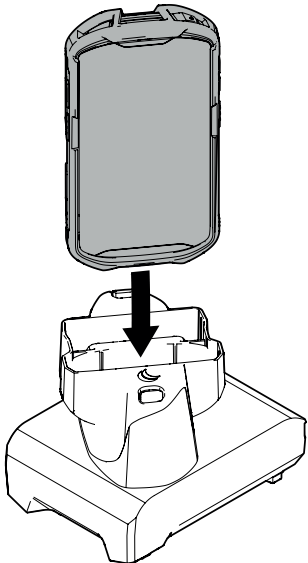
1 Remove native adapter



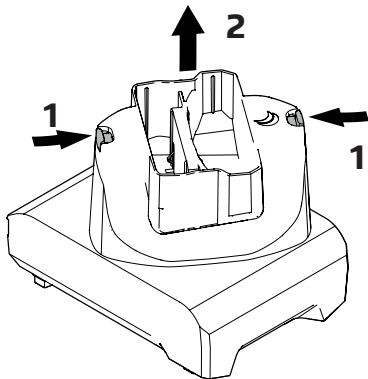
2 Insert dual charger



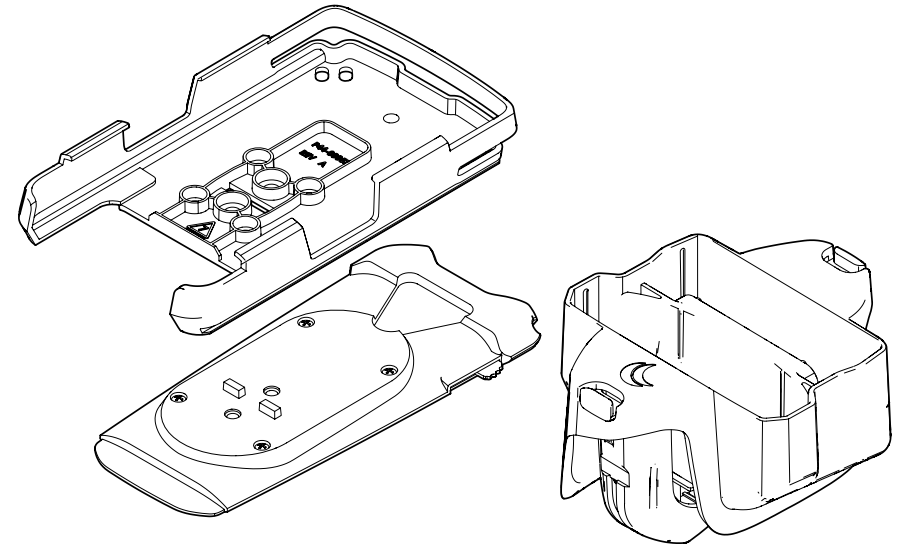
3 Ready to use



4 Remove charger

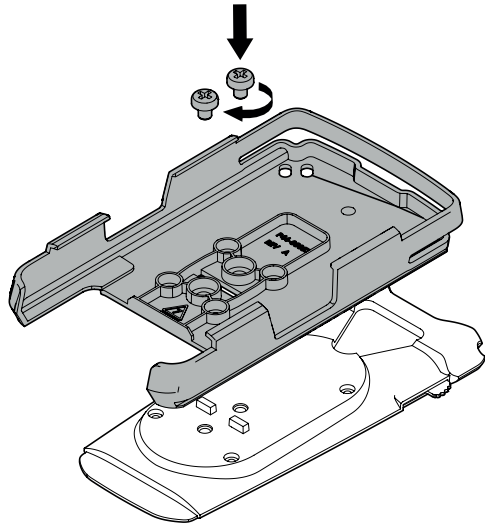


Duo for TC5x Installation Guide

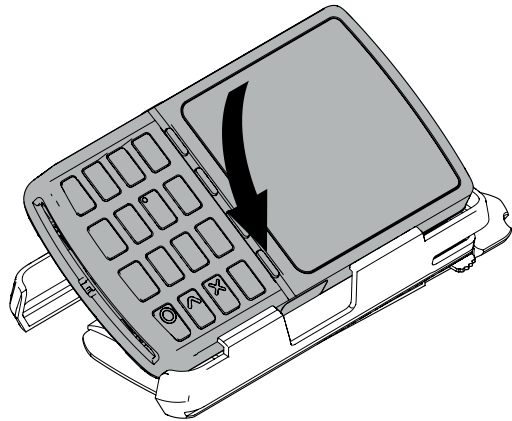


Mounting Payment Device

- 1 Assemble the M-Case*



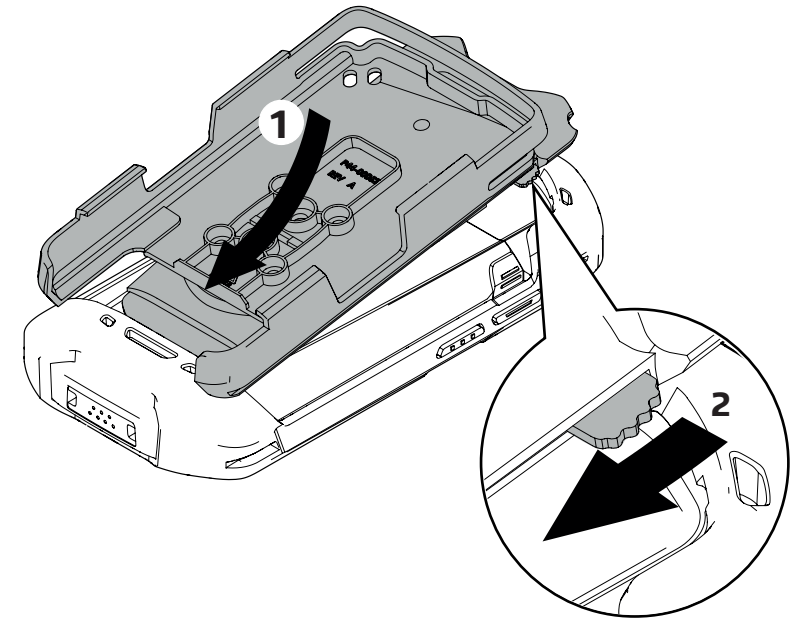
- 2 Insert device*



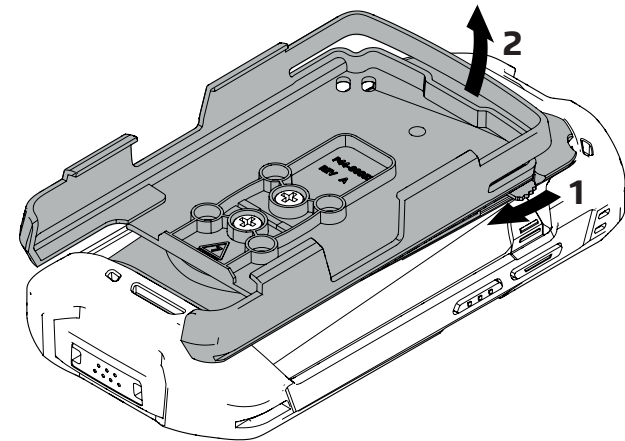
*Ingenico Link/2500i illustrated

Attach and remove payment device*

- 1 Attaching to the TC5x with exoskeleton



- 2 Removing from the TC5x with exoskeleton



*Ingenico Link/2500i illustrated